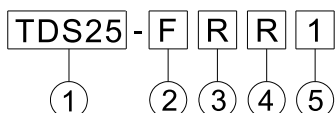




Feature

- These series of switches has 6 types of capacity ranging from 16A to 80A.
- Installation includes fixed way(fixed on the operating panel) and detached way(contact fixed in the control box whereas upper base and handles fixed on the tope cover of the contrlo box)
- Detachable type can be installed on TBR - N (standard aluminium rail-wide rail)
- There are two types of switching handles: standard and round. Standard is colored in red/yellow or black/silver; while round ones in red/yellow or black/gray.

Model designation



Designation	Signal	Description
1.Capacity	TDS16	16A(3P)
	TDS25	25A(3P)
	TDS33	33A(3P)
	TDS40	40A(3P)
	TDS66	66A(3P)
	TDS80	80A(3P)
	TDS416	16A(4P)
	TDS425	25A(4P)
	TDS433	33A(4P)
	TDS440	40A(4P)
	TDS466	66A(4P)
	TDS480	80A(4P)
2.Installation way	F	Fixed way
	B	Detched way
	E	Control staiions
3.Handle	S	Standard handle
	R	Rotundity handle
4.Color	B	Block/silver gray
	R	Red/yellow
5.Transmission rod length (only detached way)	None	100mm
	1	150mm
	2	250mm
	3	300mm

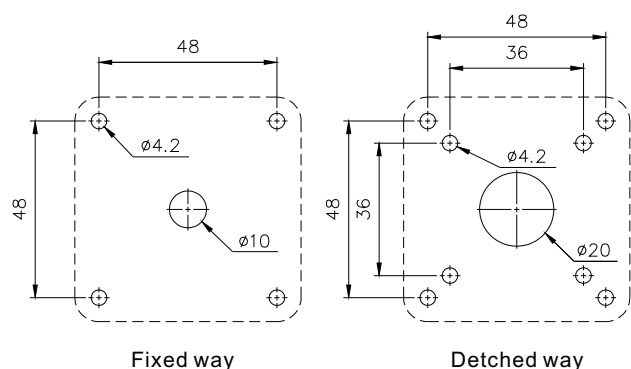
Specifications

Voltage	Type	TDS16 TDS416	TDS25 TDS425	TDS33 TDS433	TDS40 TDS440	TDS66 TDS466	TDS80 TDS480
	AC-3 (kw)	220V~240V	2.2	4.0	5.5	7.5	11.0
380V~440V		3.7	5.5	7.5	11.0	18.5	22.0
660V~690V		3.7	5.5	7.5	15.0	22.0	30.0
AC-23 (kw)	220V~240V	3.0	5.5	5.5	7.5	11.0	18.5
	380V~440V	5.5	7.5	11.5	15.0	22.0	30.0
	600V~690V	5.5	7.5	11.5	18.5	30.0	37.0
AC-21		16A	25A	33A	40A	66A	80A

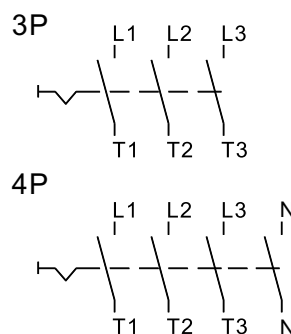
Voltage	Type	TDS16 TDS416	TDS25 TDS425	TDS33 TDS433	TDS40 TDS440	TDS66 TDS466	TDS80 TDS480
	AC-3 (hp)	110V~120V	1	1.5	2	3	5
220V~240V		2	3	5	7.5	10	20
380V~440V		3	5	10	15	20	40
500V~600V		3	5	10	15	20	50

3 phase.3 poles

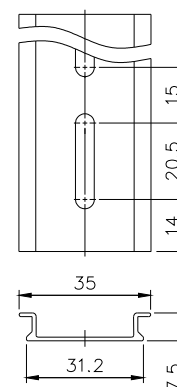
Plate dimensions



Wiring diagram



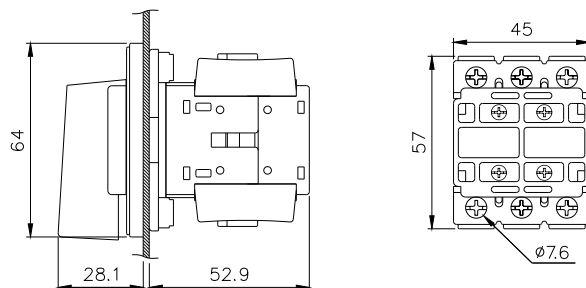
TBR-N(Dimendions) (用於分離式)



■ Dimensions

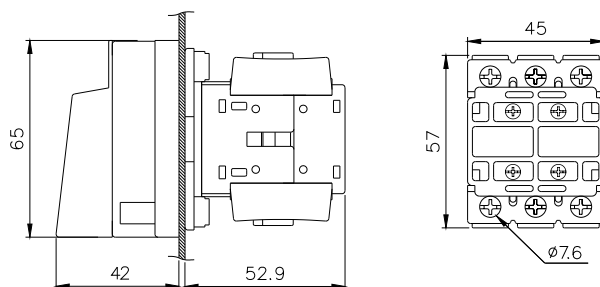
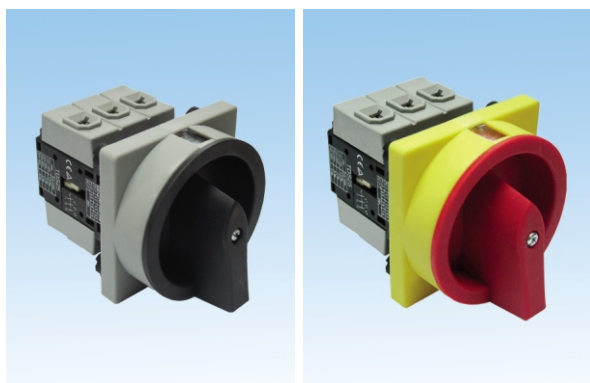
TDS16/25/33-FSB

TDS16/25/33-FSR



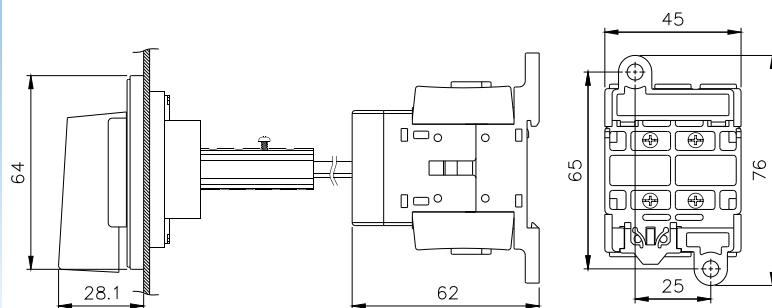
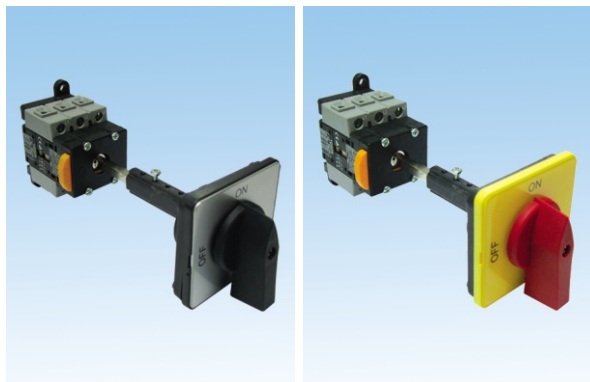
TDS16/25/33-FRB

TDS16/25/33-FRR



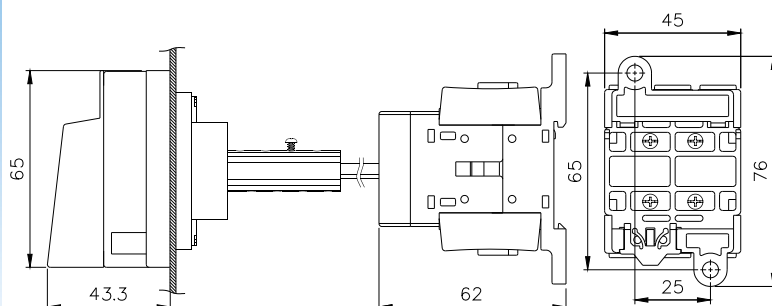
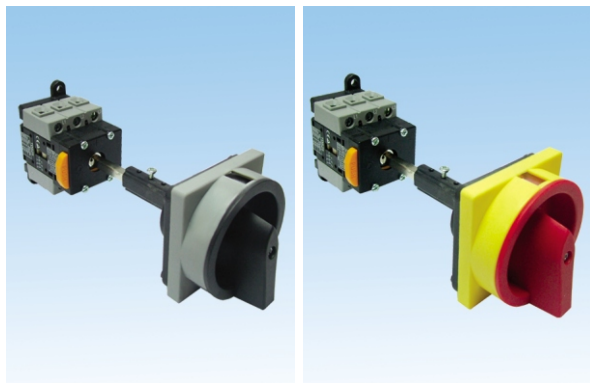
TDS16/25/33-BSB

TDS16/25/33-BSR



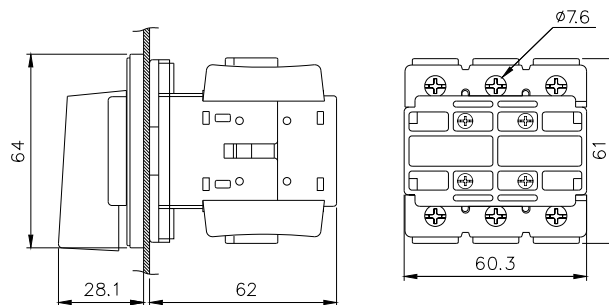
TDS16/25/33-BRB

TDS16/25/33-BRR



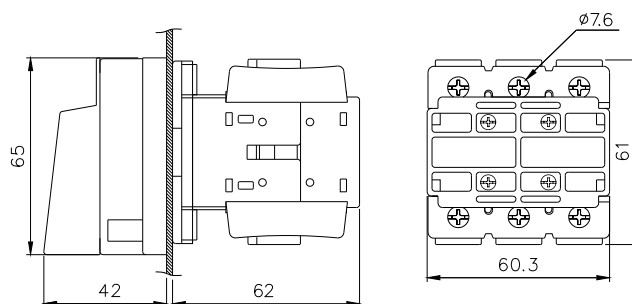
TDS40/66/80-FSB

TDS40/66/80-FSR



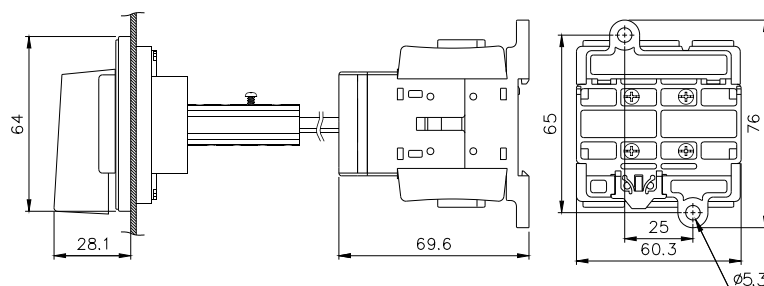
TDS40/66/80-FRB

TDS40/66/80-FRR



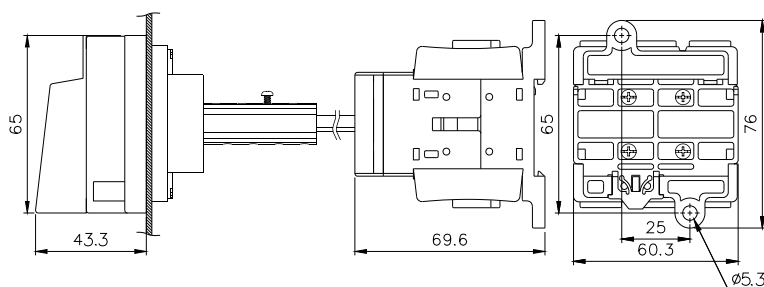
TDS40/66/80-BSB

TDS40/66/80-BSR



TDS40/66/80-BRB

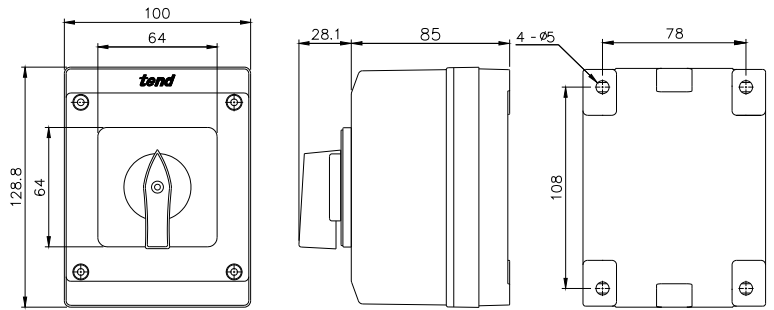
TDS40/66/80-BRR



Control stations

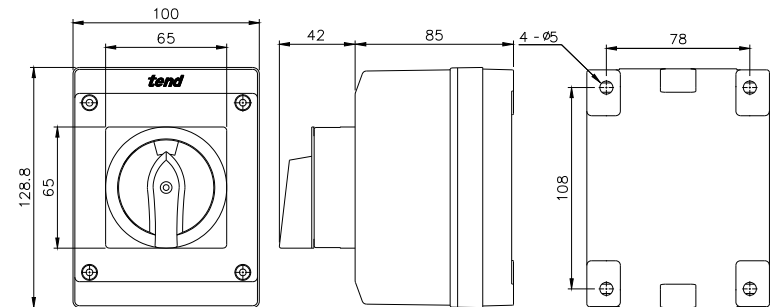
TDS□-ESB

TDS□-ESR

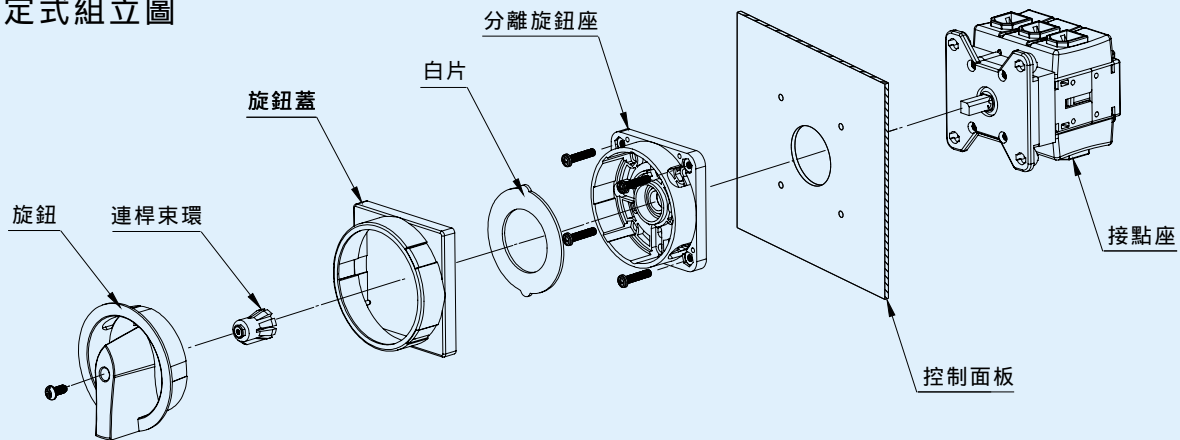


TDS□-ERB

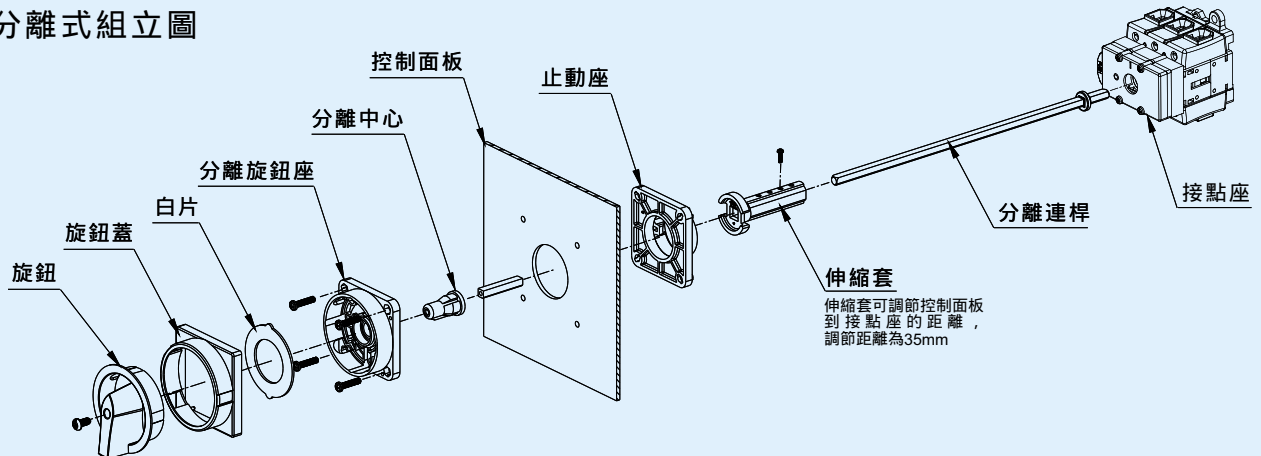
TDS□-ERR



■ 固定式組立圖

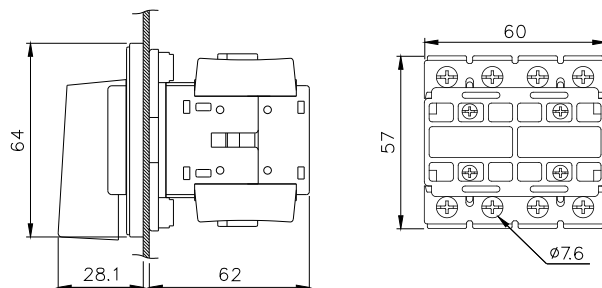


■ 分離式組立圖

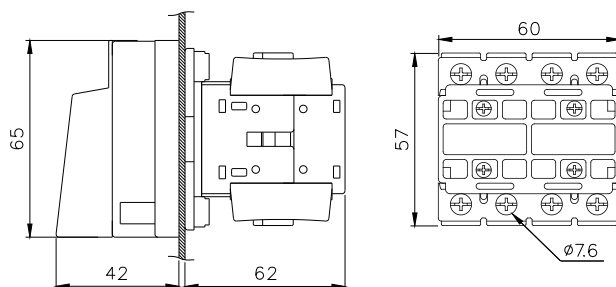


■ Dimensions

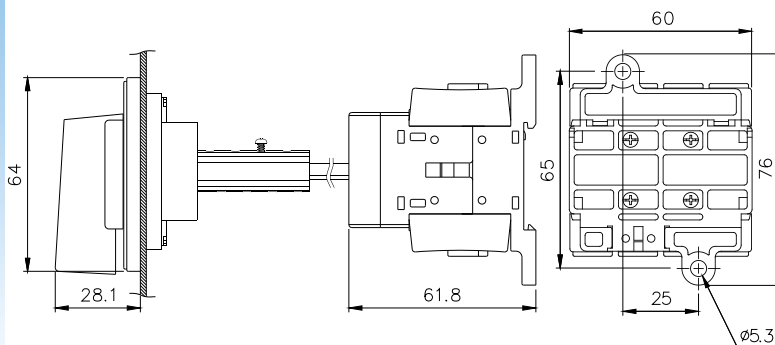
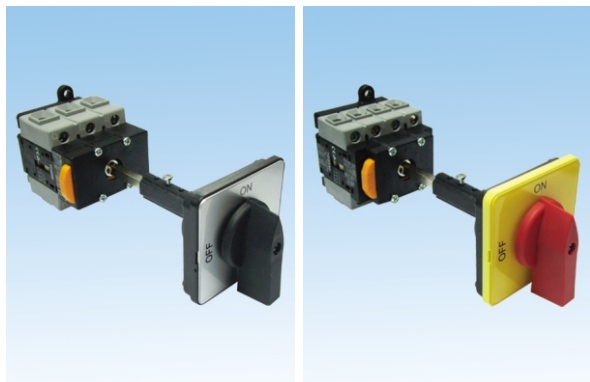
TDS416/425/433-FSB TDS416/425/433-FSR



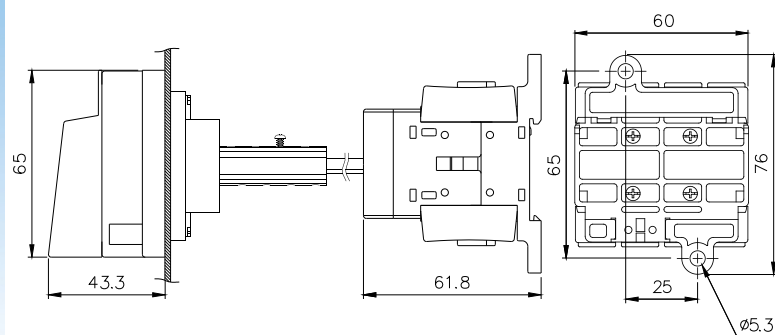
TDS416/425/433-FRB TDS416/425/433-FRR



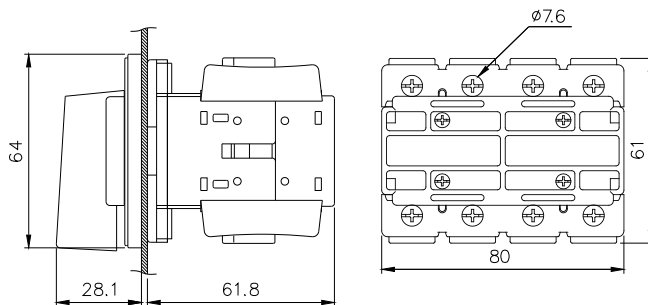
TDS416/425/433-BSB TDS416/425/433-BSR



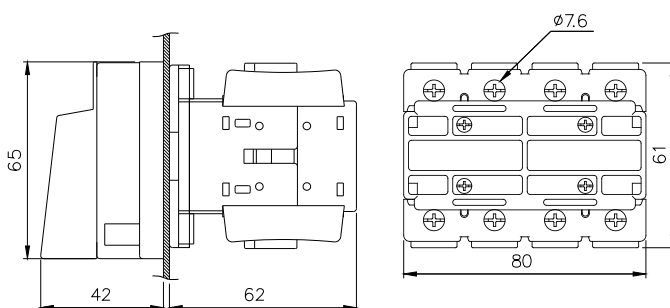
TDS416/425/433-BRB TDS416/425/433-BRR



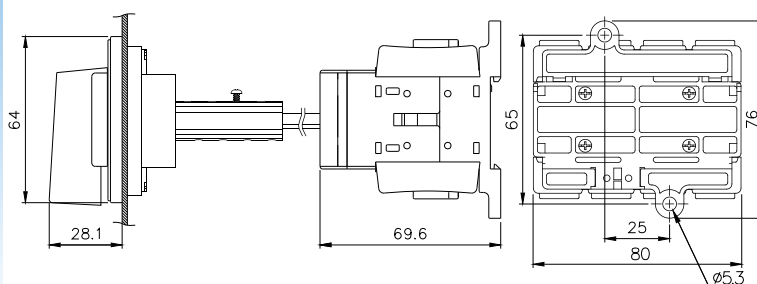
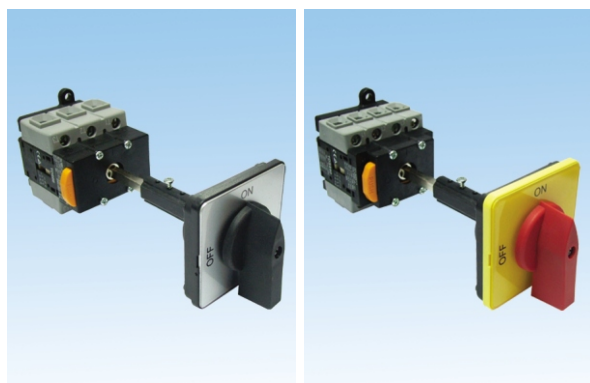
TDS440/466/480-FSB TDS440/466/480-FSR



TDS440/466/480-FRB TDS440/466/480-FRR



TDS440/466/480-BSB TDS440/466/480-BSR



TDS440/466/480-BRB TDS440/466/480-BRR

