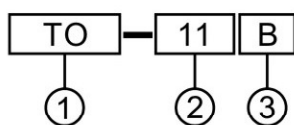


FEATURES:



- Current: 10 and 15A.
- Movement way: Go-on, auto-return.
- Terminal type: Screw type, solder and tab type.
- Rainproof cap (TOW): Waterproof and oiltight.
- Mounting hole: $\varnothing 12\text{m/m}$.

MODEL DESIGNATIONS:



NAME PLATE



Designation	Signal	Description
1.Type	TO	10A 250VAC
	TOR	10A 250VAC Spring return
	T5	15A 250VAC
	T5R	15A 250VAC Spring return
2.Contact	11	Single pole Single throw ON-OFF
	12	Single pole Double throw ON-ON
	13	Single pole Double throw (Central OFF)ON-OFF-ON
	131	Single pole Double throw (Central OFF Single return) ON-OFF-ON
	21	Double pole Single throw ON-OFF
	22	Double pole Double throw ON-ON
	23	Double pole Double throw (Central OFF)ON-OFF-ON
	231	Double pole Double throw (Central OFF Single return) ON-OFF-ON
3.Terminal	A	Tab Terminal
	B	Screw Terminal
	C	Solder Terminal

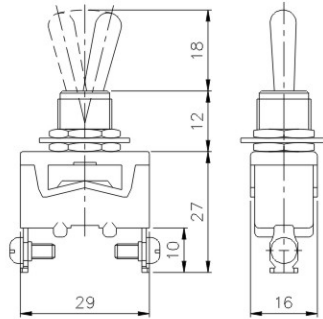
CHARACTERISTICS

Contact resistance	15m Ω max.(initial)	
Insulation resistance	100M Ω min.(at 500V DC)	
Dielectric strength	2000VAC,50/60HZ1minute	
Vibration	10 to 50Hz,1.5mmbouble amplitude	
Operating temperature	-25°C~+80°C	
Humidity	85%RH max.	
Service life	Machinery	Mechanically:500,000 operations min.
	Electric	Electrically: 100,000 operations min.

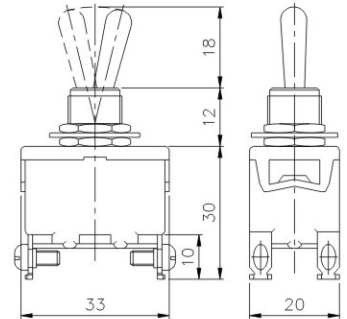
RATING

LOAD	TYPE	AC. RATING	DC. RATING
RESISTIVE LOAD	TO	10A 250V 15A 125V	0.4A 250V 0.8A 125V
	T5	15A 250V 20A 125V	0.5A 250V 0.9A 125V
INDUCTIVE LOAD	TO	10A 250V 15A 125V	0.2A 250V 0.4A 125V
	T5	15A 250V 20A 125V	0.3A 250V 0.5A 125V 15A 30V
LAMP LOAD	TO	300W 100V 500W 200V	—————
	T5	400W 125V 800W 250V	7A 30V
MOTOR LOAD	TO	200W 125V 300W 250V	—————
	T5	400W125V(1 phase)	
	TO	550W250V(2 phase)	
	T5	750W250V(3 phase)	

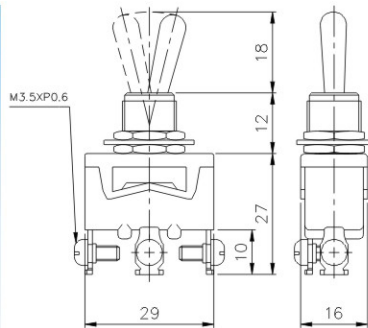
TO11B T511B
TOR11B T5R11B



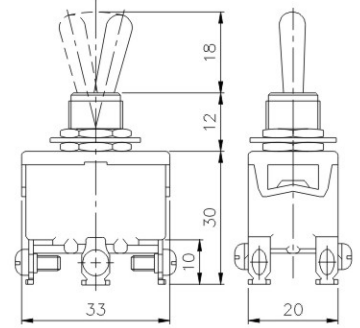
TO21B T521B
TOR21B T5R21B



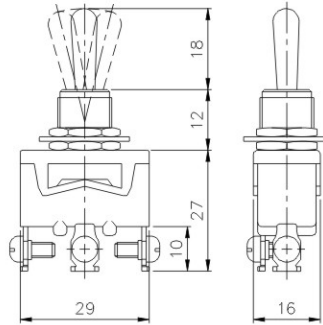
TO12B T512B
TOR12B T5R12B



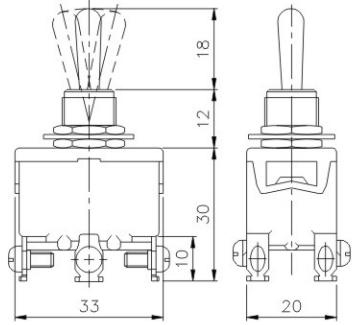
TO22B T522B
TOR22B T5R22B



TO13B T513B
TOR13B T5R13B



TO23B T523B
TOR23B T5R23B

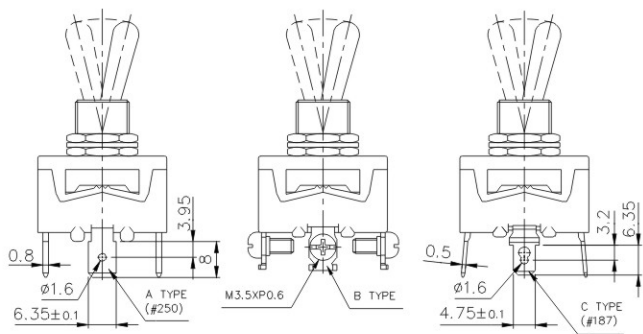


TERMINAL TYPE

Tab Type

Screw Type

Solder Terminal



RAINFROOF CAP TOW

